

**DELABIE**

[Home](#) > [Our products](#) > [Specific Fittings](#) > [Professional Catering Fittings](#) > Pre-rinse set with mixer

# Pre-rinse set with mixer

Ref. 5625

With bib tap



By continuing your navigation on this website you accept the use of cookies to facilitate navigation,  enhance your experience and produce visit statistics. [Learn more.](#)



## DESCRIPTION

### Pre-rinse set with mixer

[Ref. 5625](#)

Complete pre-rinse set with bib tap.

Single hole deck-mounted mixer with slimline control lever.

Supplied with F3/8" flexible hoses and non-return valves.

Bib tap with swivelling, tubular spout L. 200mm.

- 16 lpm full flow rate achieved within the first 90°.

- Valve head with reinforced mechanism and ergonomic control.

Black, scale-resistant M1/2" hand spray with adjustable jet and 9 lpm flow rate at the outlet.

Reinforced, food-grade black flexible hose L. 0.95m.

3/4" brass column.

Adjustable wall bracket.

Stainless steel spring guide.

10-year warranty.

## ADVANTAGES

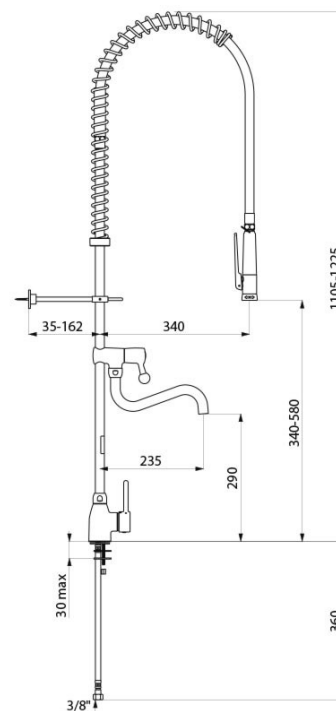
- Scale-resistant controls for intensive use
- Torsion rotating nut PVC sheath
- Ergonomic controls and swivelling tubular spout
- Low flow rate achieved in 90°

# TECHNICAL FEATURES

## Pre-rinse set with mixer

Ref. 5625

Connector	F3/8"
Height	1105-1225mm
Drop height	340 - 580mm
Flow rate	16 lpm
Width to the wall	35-162mm
Finish	Chrome-plated brass
Standards and certifications	 
Warranty	



### Associated products

© DELABIE